

Thank you for purchasing our equipment. Please read this manual carefully and pay attention to the installation instructions before installation. This will ensure not only the protection of persons, but also the long-term viability of the equipment.

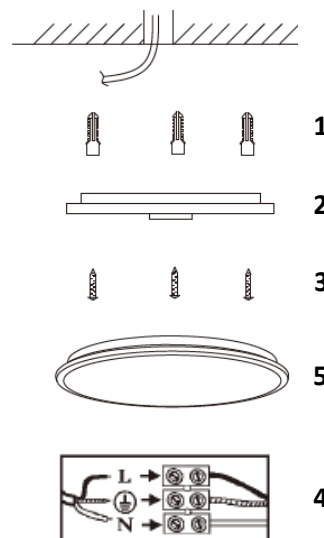
## TECHNICAL PARAMETERS

Mark	WO8011	WO8012	WO8013
Name	Jamil	Laskos	Cala
Consumption	48W for 4000K, 24W for 3000K and 6500K	48W for 4000K, 24W for 3000K and 6500K	48W for 4000K, 24W for 3000K and 6500K
Luminous flux	3360lm for 4000K, 1700lm for 3000K and 6500K	3360lm for 4000K, 1700lm for 3000K and 6500K	3360lm for 4000K, 1700lm for 3000K and 6500K
Voltage	220-240V AC	220-240V AC	220-240V AC
Chromaticity	3000K - 6500K	3000K - 6500K	3000K - 6500K
LED lifetime	20.000 hours	20.000 hours	20.000 hours
Dimensions	395 x 70 mm	390 x 80 mm	380 x 65 mm

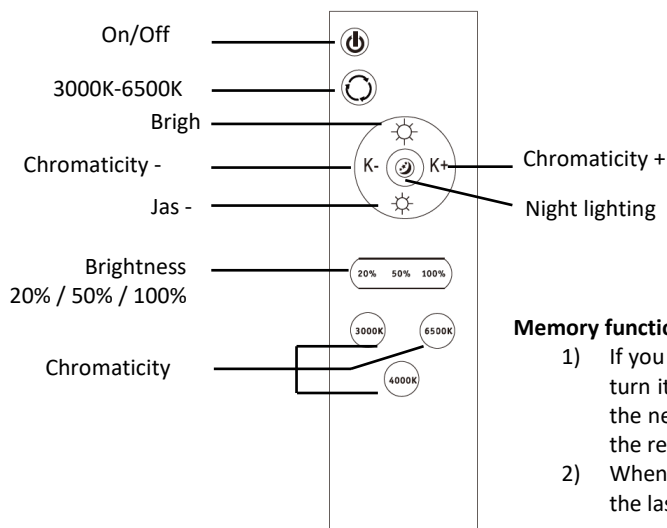
## INSTALLATION

Disconnect the power supply before installation!

1. Insert the dowels into the pre-drilled holes.
2. Remove the rear of the luminaire by turning it and thread the supply cable through the hole in the rear of the luminaire.
3. Drill the back of the luminaire.
4. Connect the supply cable to the terminal block and make sure that the connection is correct.
5. Rotate to attach the front of the luminaire to the rear.
6. Switch on the power supply



## DESCRIPTION OF THE CONTROLLER



### Memory function:

- 1) If you turn on the light with the classic wall switch and leave it on for at least 30sec, then turn it off for at least another 30sec with the wall switch, the last used mode will be lit the next time you turn it on. The same time delays apply for setting the light mode with the remote control and then switching it off and on with the wall switch.
- 2) When switching the light on and off with the remote control, the light always remembers the last mode used, regardless of the time intervals between switching on and off.

The light source of this luminaire is non-replaceable, at the end of its service life the entire luminaire must be replaced and disposed of in a designated place. This product contains a light source that for design reasons cannot be removed for verification and therefore the entire product is considered a light source.

The product has been issued with a CE declaration of conformity in accordance with the applicable regulations.  
On request from the manufacturer: [info@solight.cz](mailto:info@solight.cz), or downloadable from [www.solight.cz/en](http://www.solight.cz/en).

